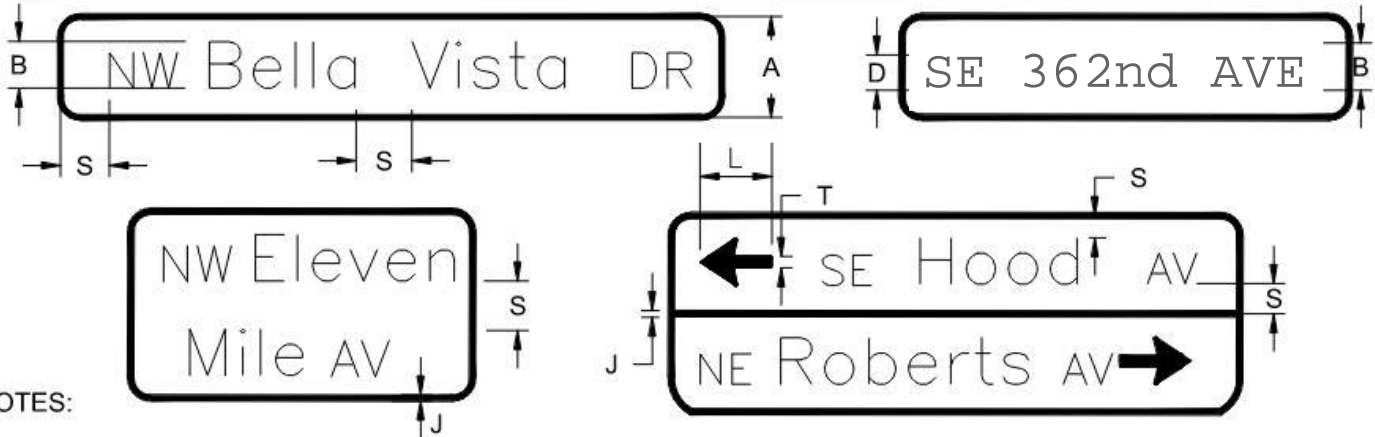


DIMENSIONS FOR STREET NAME SIGNS

MOUNTING TYPE	STREET TYPE OR SPEED LIMIT	PANEL HEIGHT A	LETTER HEIGHT UPPERCASE B	PREFIX SUFFIX HEIGHT D	SPACE S	BORDER THICKNESS J	ARROW TAIL THICKNESS T	ARROW LENGTH L
POST	≤ 25 MPH	8"	4"	3"	2" MIN	NONE	-	5"
	PRIVATE (ALL)							
POST	>25 MPH ≤40 PH	12"	6"	4"	3"	3/8"	-	-
POST	>40 MPH	15"	8"	6"	4"	1/2"	-	-
OVERHEAD	ALL	21"	12"	9"	6"	1"	-	-
OVERHEAD STACKED LEGEND	ALL	30"	8"	5"	4"	1"	3"	12"



NOTES:

- SIGN PANELS SHALL BE 0.08" ALUMINUM FLAT BLADE WITH 1.5" RADIUS CORNERS. SIGNS OVER 36" IN WIDTH OR HEIGHT SHALL BE THICKNESS OF 0.100".
- SIGN FACE SHALL BE COVERED WITH 3M HIP REFLECTIVE SHEETING OR EQUIVALENT, GREEN BACKGROUND WITH WHITE LEGEND AND BORDER OVER 6" IN HEIGHT.
- AT INTERSECTIONS OF TWO-LANE ROADS, INSTALL MINIMUM OF ONE STREET NAME SIGN. ON INTERSECTIONS OF MULTI-LANE ROADS, INSTALL MINIMUM OF 2 SIGNS ON DIAGONAL CORNERS OF INTERSECTION.
- LEGENDS SHALL BE STANDARD ALPHABET SERIES C, UPPER AND LOWER CASE, PER STANDARD HIGHWAY SIGNS AND MARKINGS (SHS) CURRENT EDITION. LEGEND HEIGHT TO BE DICTATED BY HIGHEST CLASSIFICATION STREET AT INTERSECTION.
- IF PANEL WIDTH WOULD EXCEED 5' (OR 12' FOR OVERHEAD MAST ARM INSTALLATION) USE 2-LINE LEGEND.
- LEGEND SHALL BE APPROVED BY ENGINEER PRIOR TO FABRICATION. MINOR VARIATIONS IN SPACING DIMENSIONS MAY BE PERMITTED, PROVIDED LEGIBILITY IS MAINTAINED AND APPROVED.
- REFER TO MANUAL ON UNIFORM TRAFFIC CONTROL DEVICES (MUTCD) CURRENT EDITION FOR OTHER SIGNAGE REQUIREMENTS NOT COVERED IN THIS DETAIL

NTS

CITY OF SANDY	STREET NAME SIGNS	DRAWN CM
		REV. DATE JAN 2019
		APPR.
		DETAIL NO. 633
PWS VERSION: JAN 2024		